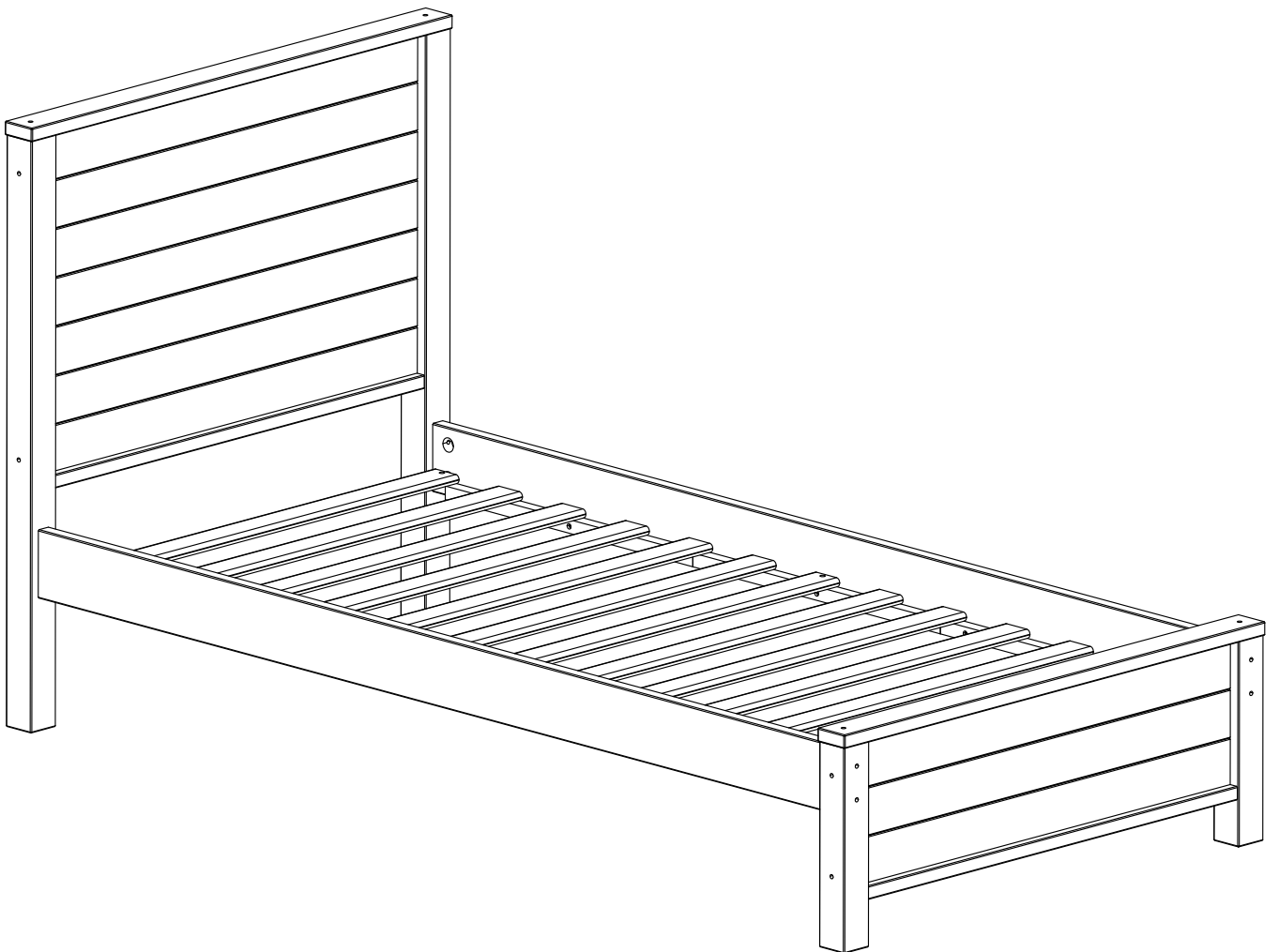
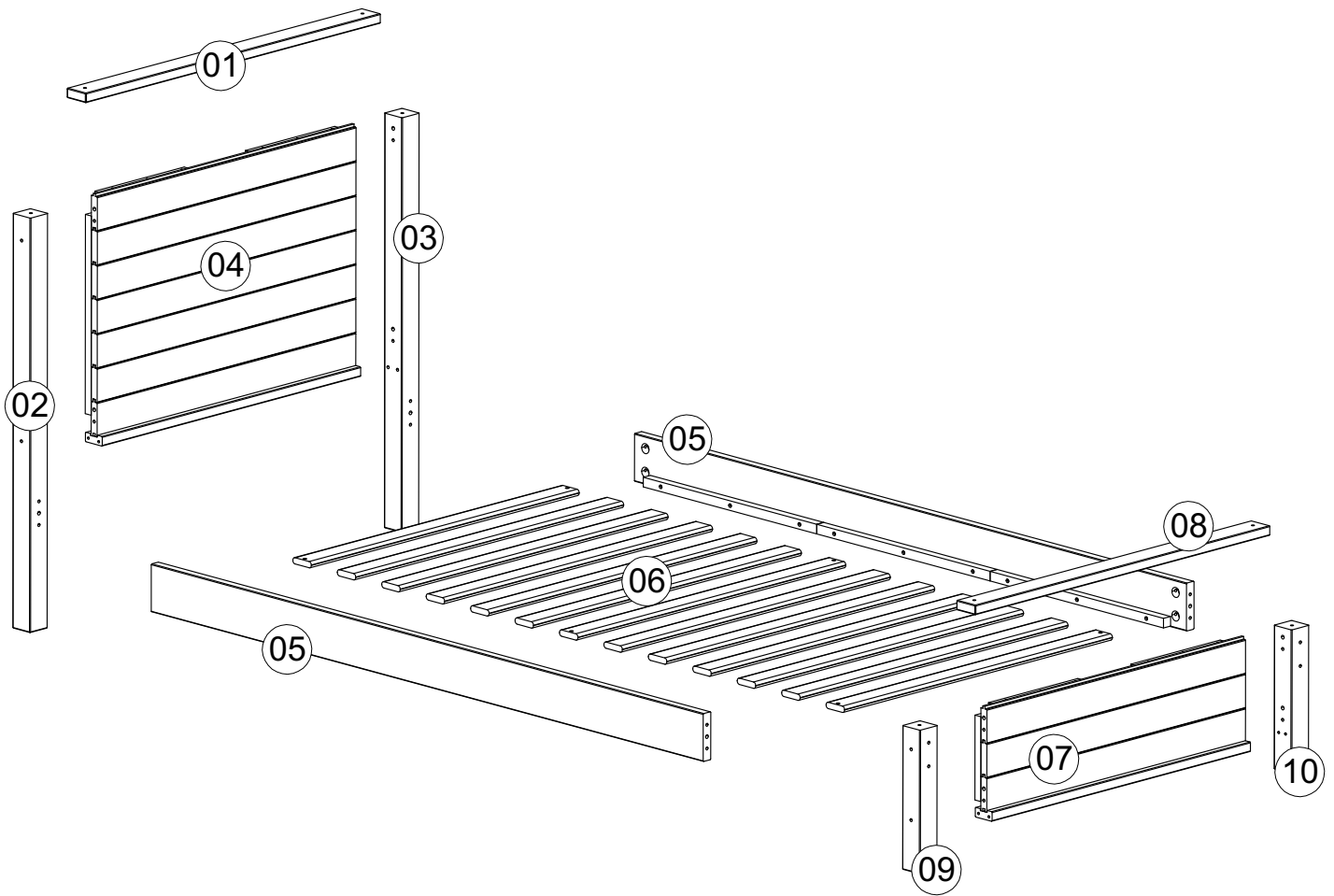


ASSEMBLY INSTRUCTIONS

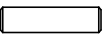
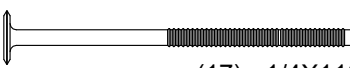

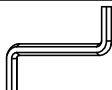



TWIN PANEL BED



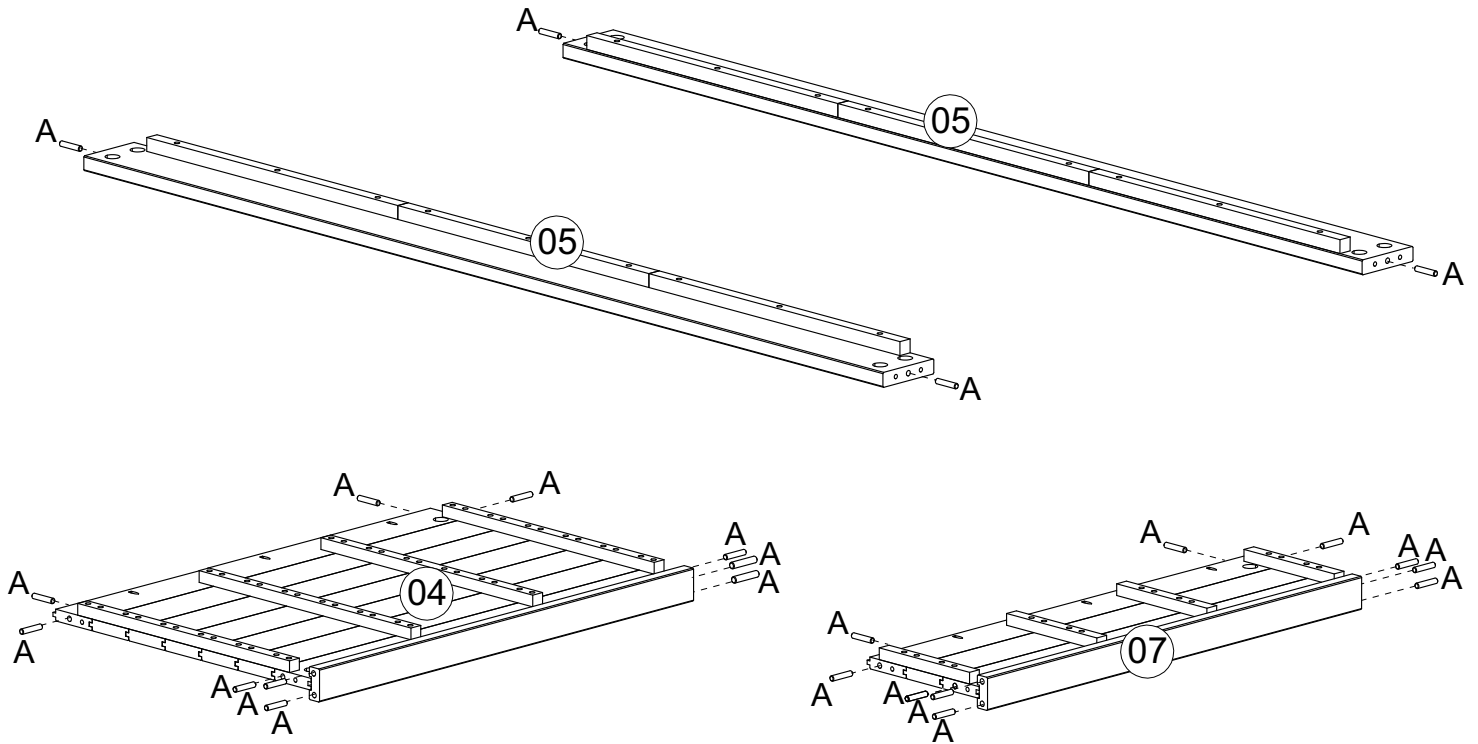
COMPONENTS

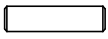


HARDWARE

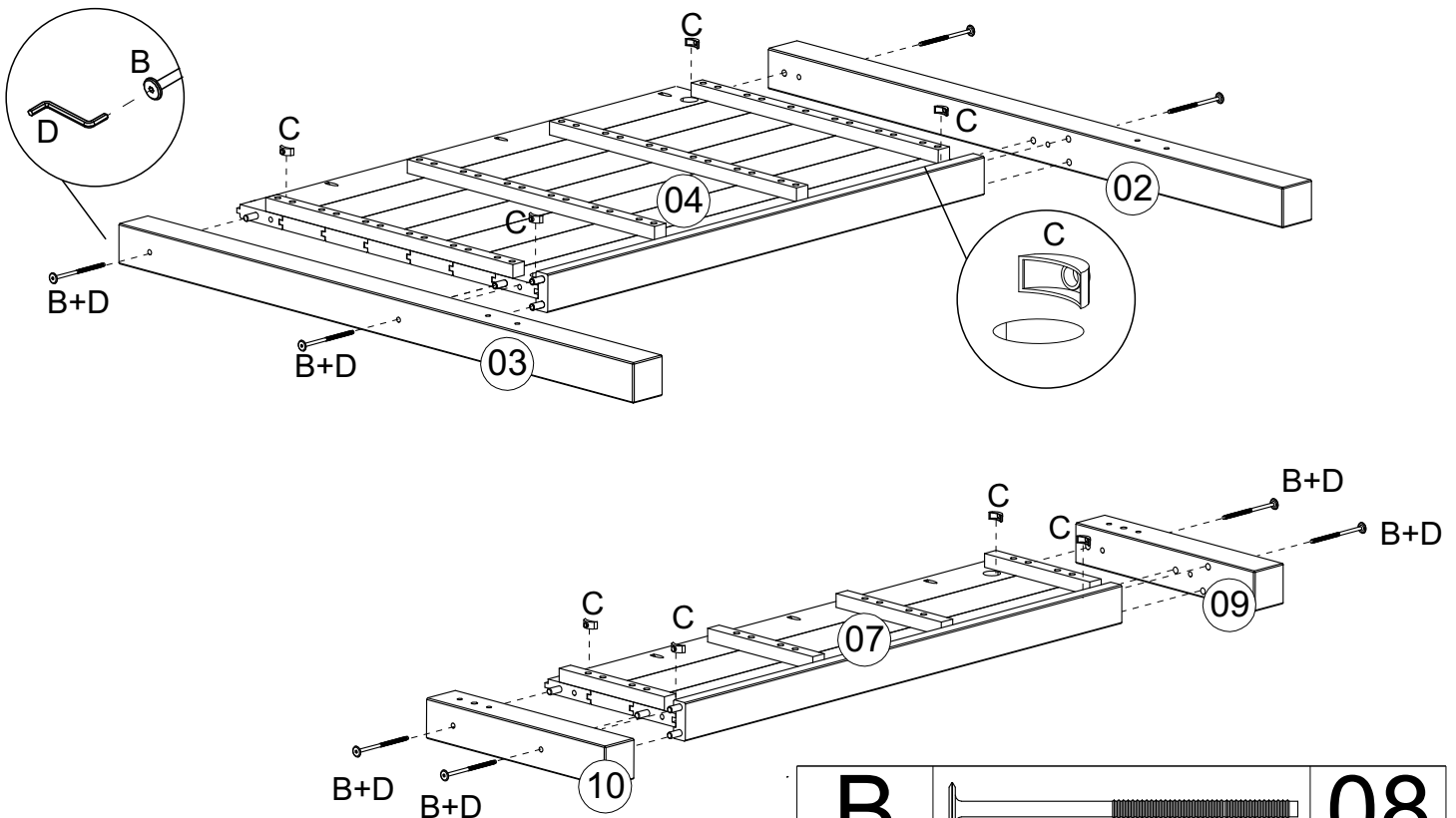
A	 10X40	24
B	 (17) - 1/4X110	16
C		16
D		01
E	 CC - 3,5X35	12
F	 CC - 4X50 P.V.	04
G	 P.V.	04

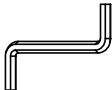
STEP 1

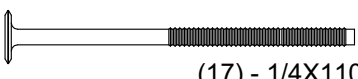



A		24 10X40
----------	-------------------------------------------------------------------------------------	--------------------

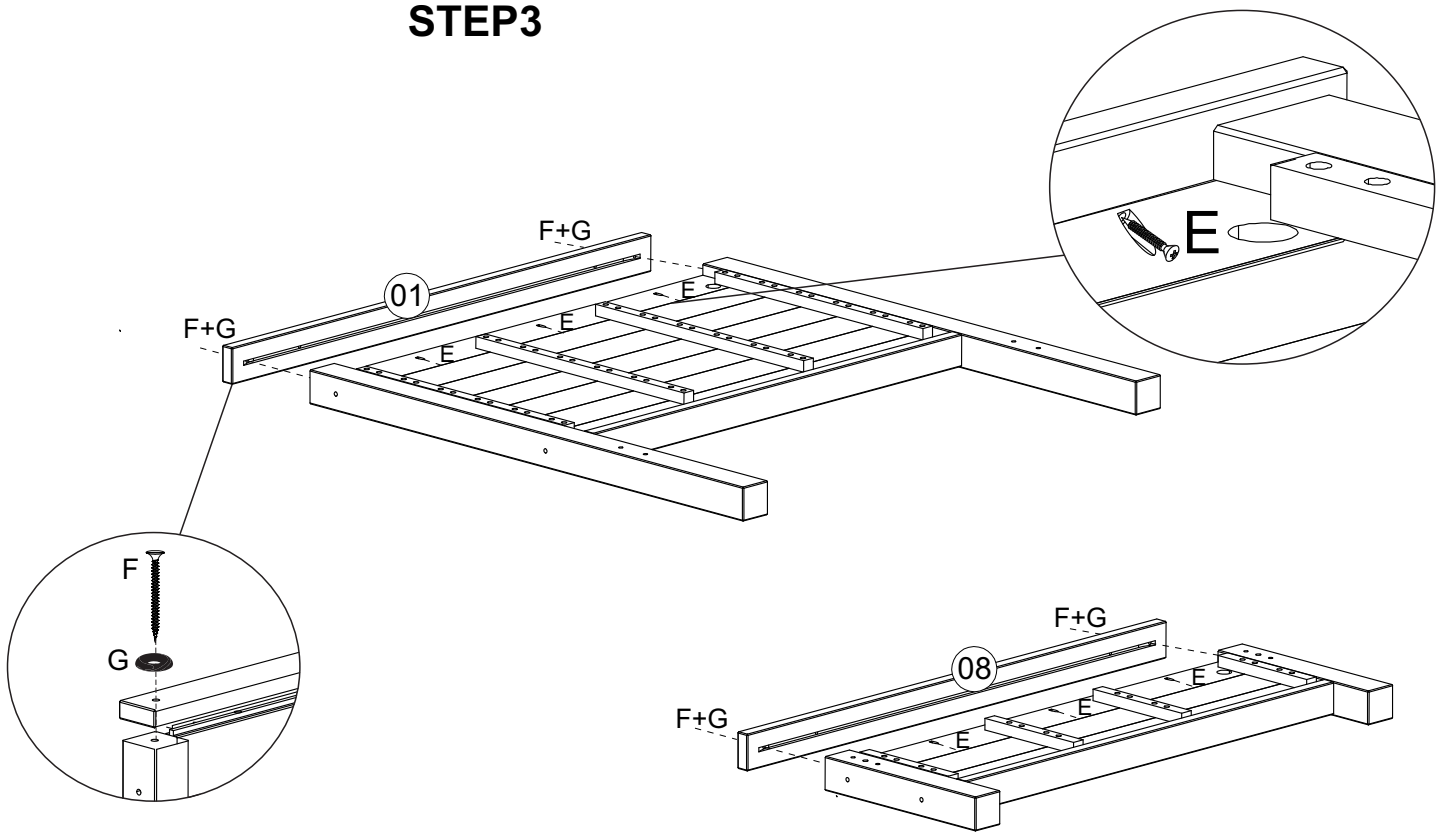
STEP 2






D		01
----------	-------------------------------------------------------------------------------------	-----------

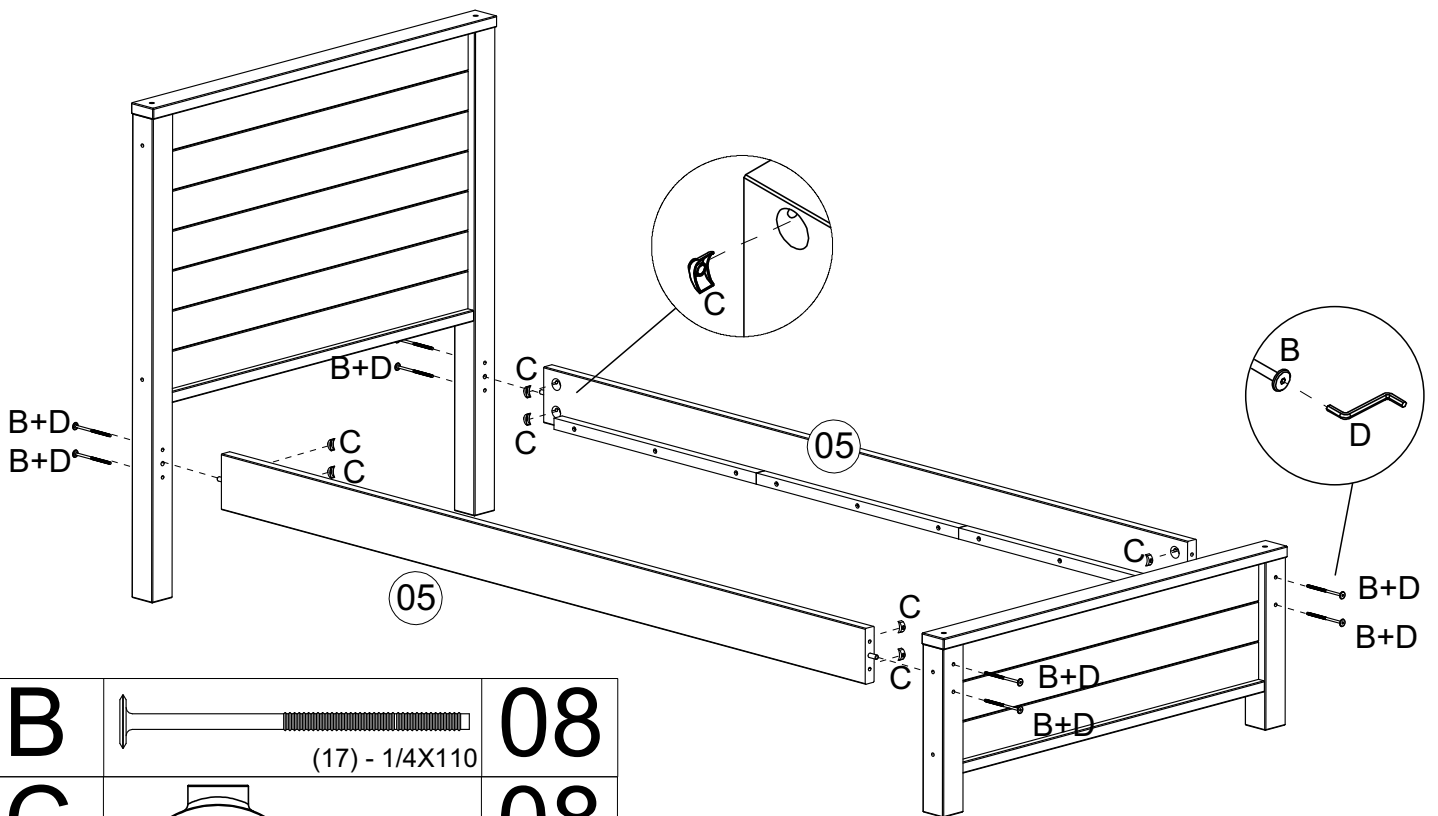
B	 (17) - 1/4X110	08
C		08

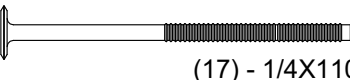

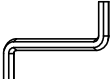
STEP 3



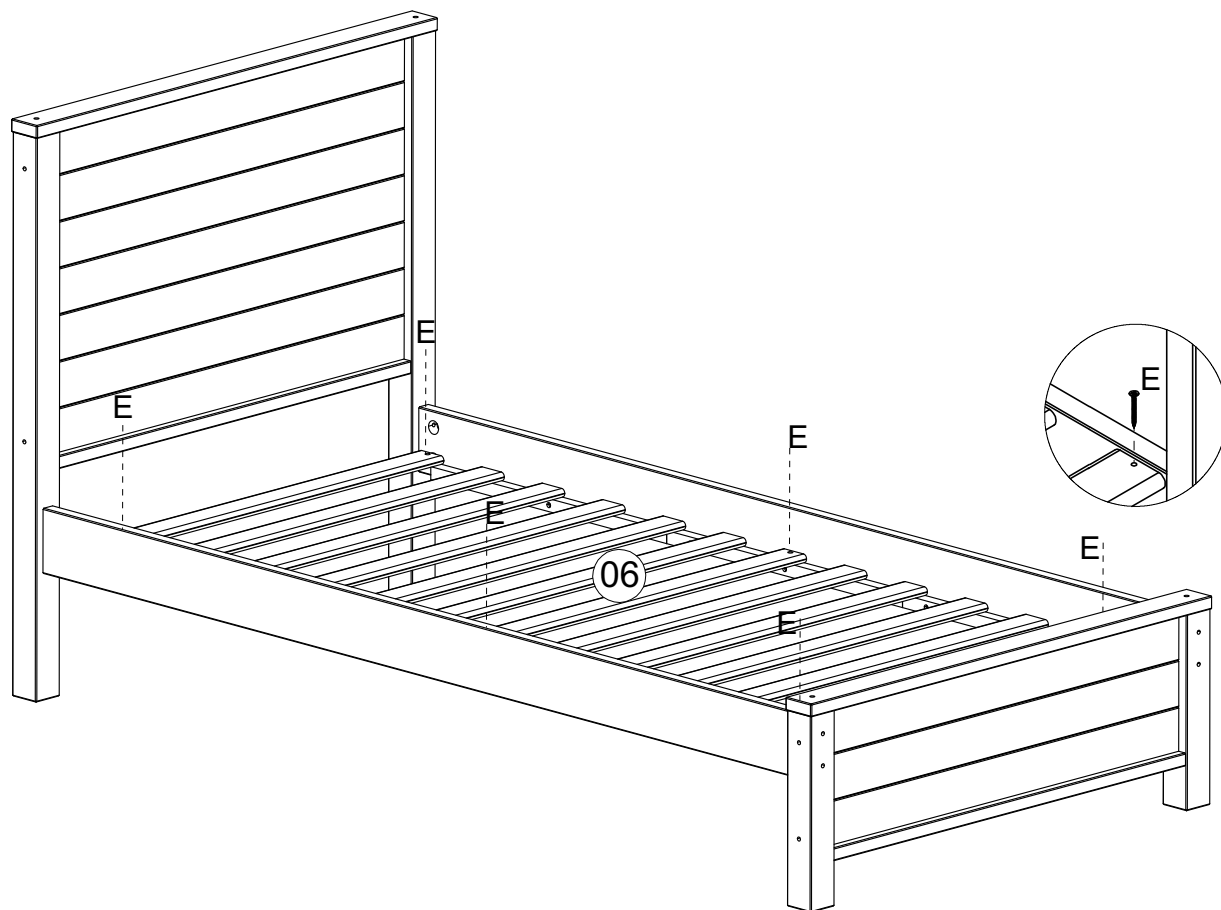
E		CC - 3,5X35	06		
F		CC - 4X50 P.V.	04	G	
					P.V. 04


STEP 4



B		(17) - 1/4X110	08
C			08
D			01

STEP 5



E		06 CC - 3,5X35
----------	-------------------------------------------------------------------------------------	--------------------------

